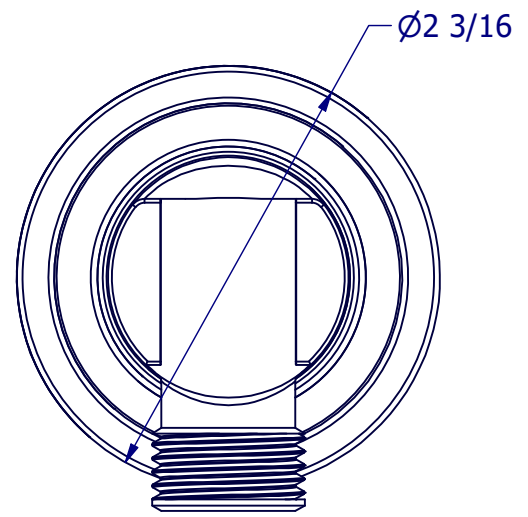
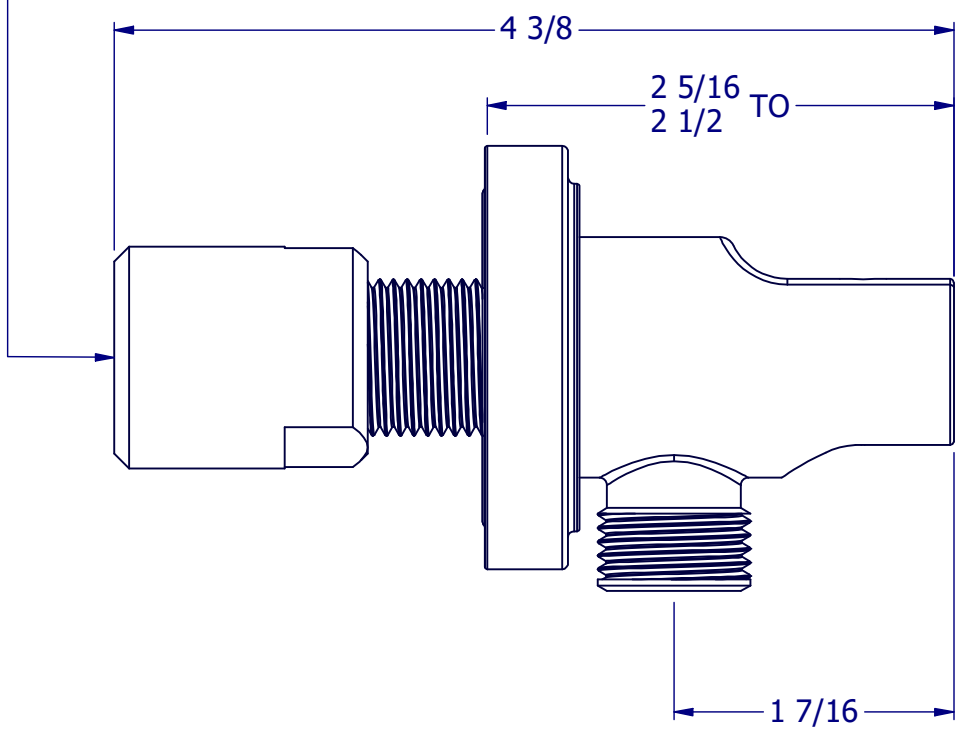


1/2" NPT ADAPTER



PROPERTY OF SAMUEL HEATH ©			DESIGNER	P.BIRAN	
A4	DRG No	V766-A	ISSUE NO.	A	ISSUE DATE 11/12/19