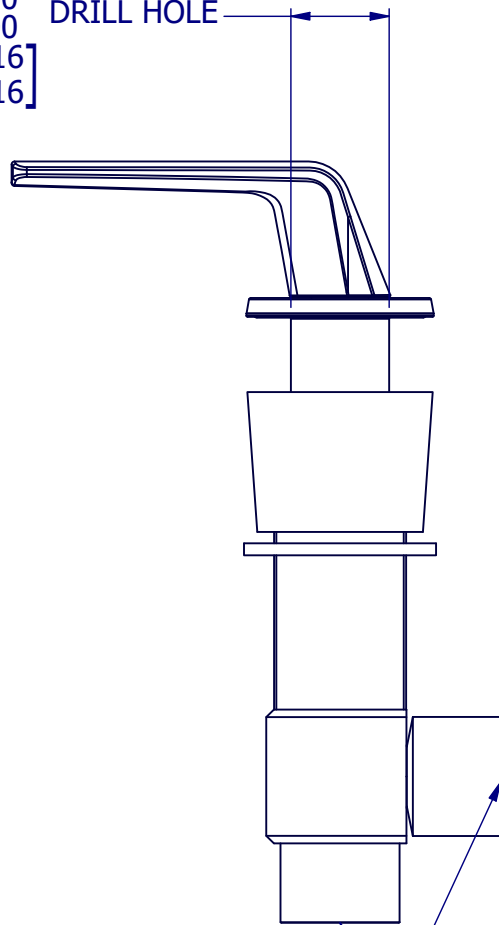


Ø 33.00  
27.00  
[1 5/16]  
[1 1/16]

DRILL HOLE

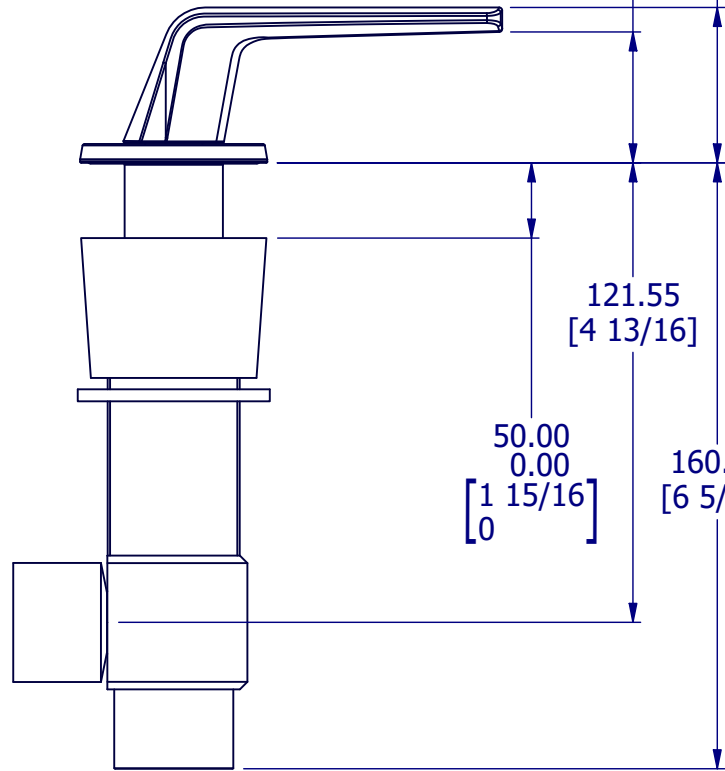


3/4" NPT

86.88  
[3 7/16]

34.62  
[1 3/8]

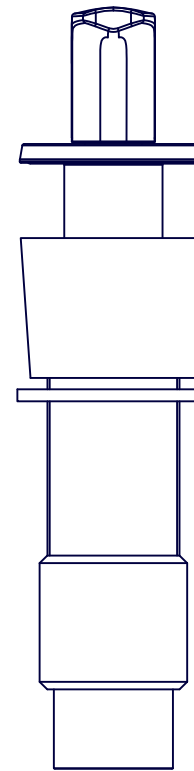
41.10  
[1 5/8]



121.55  
[4 13/16]

50.00  
0.00  
[1 15/16]  
[0]

160.30  
[6 5/16]



PROPERTY OF SAMUEL HEATH ©			DESIGNER	A.DANIELS	
A4	DRG No.	T20KA42-CTL	ISSUE NO.	A	ISSUE DATE 25/1/23