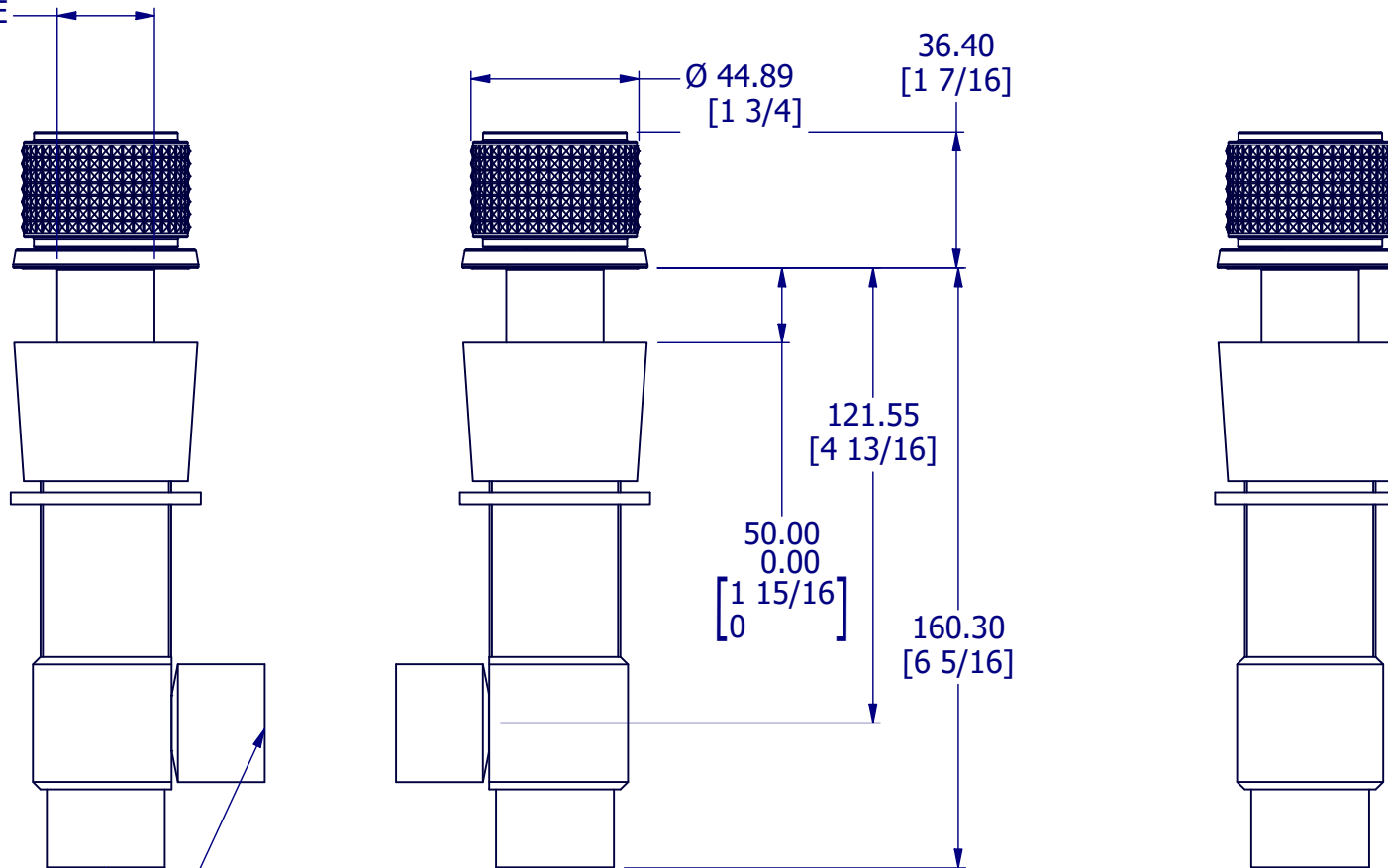


Ø 33.00
27.00
[1 5/16]
[1 1/16]

DRILL HOLE



3/4" NPT

PROPERTY OF SAMUEL HEATH ©			DESIGNER	A.DANIELS	
A4	DRG No.	T20KA42-CPR	ISSUE NO.	A	ISSUE DATE 25/1/23