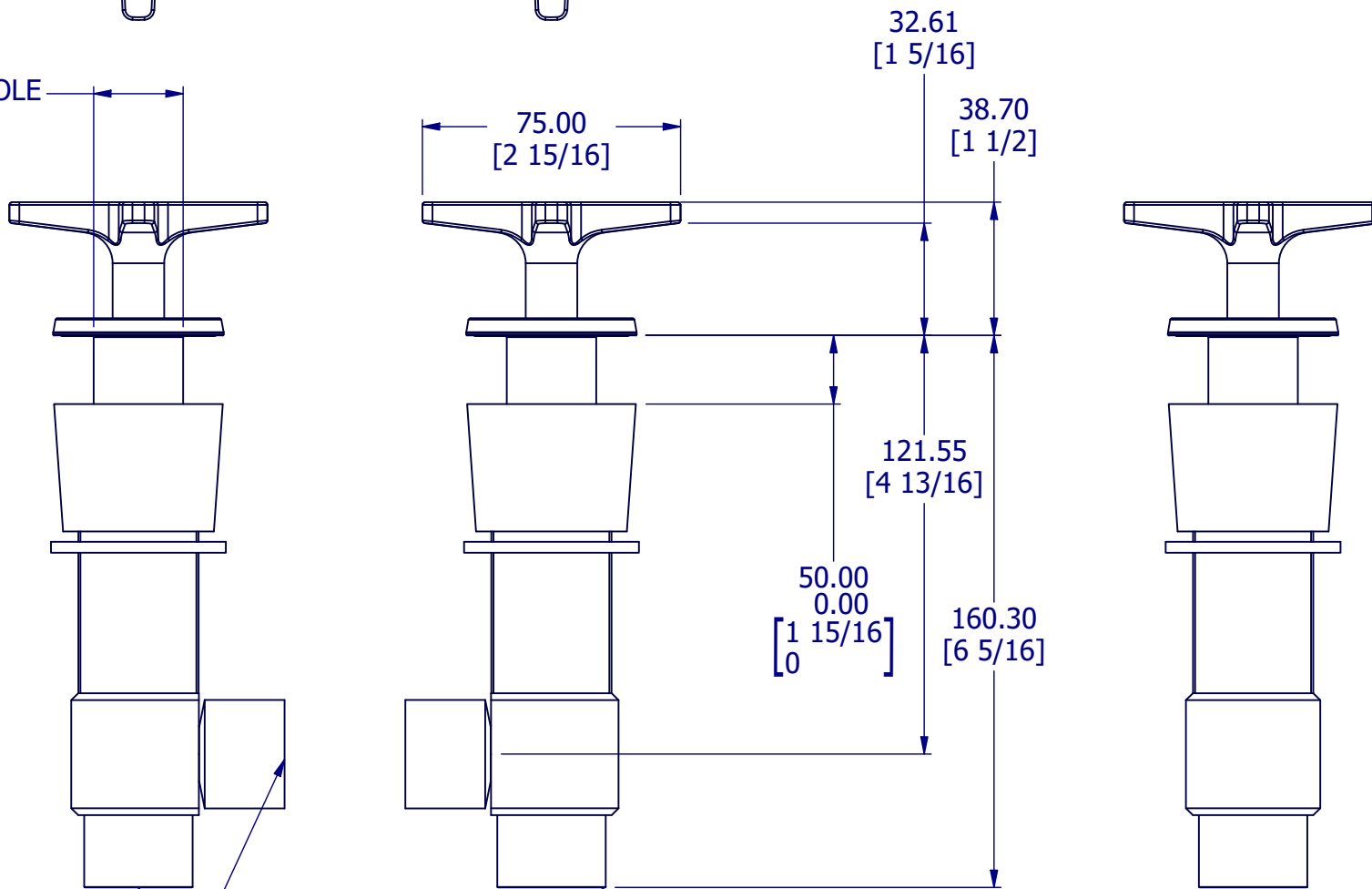


\emptyset 33.00
 27.00
 [1 5/16]
 [1 1/16]

DRILL HOLE



3/4" NPT

PROPERTY OF SAMUEL HEATH ©			DESIGNER	A.DANIELS	
A4	DRG No	T20KA42-COX	ISSUE NO.	A	ISSUE DATE 25/1/23