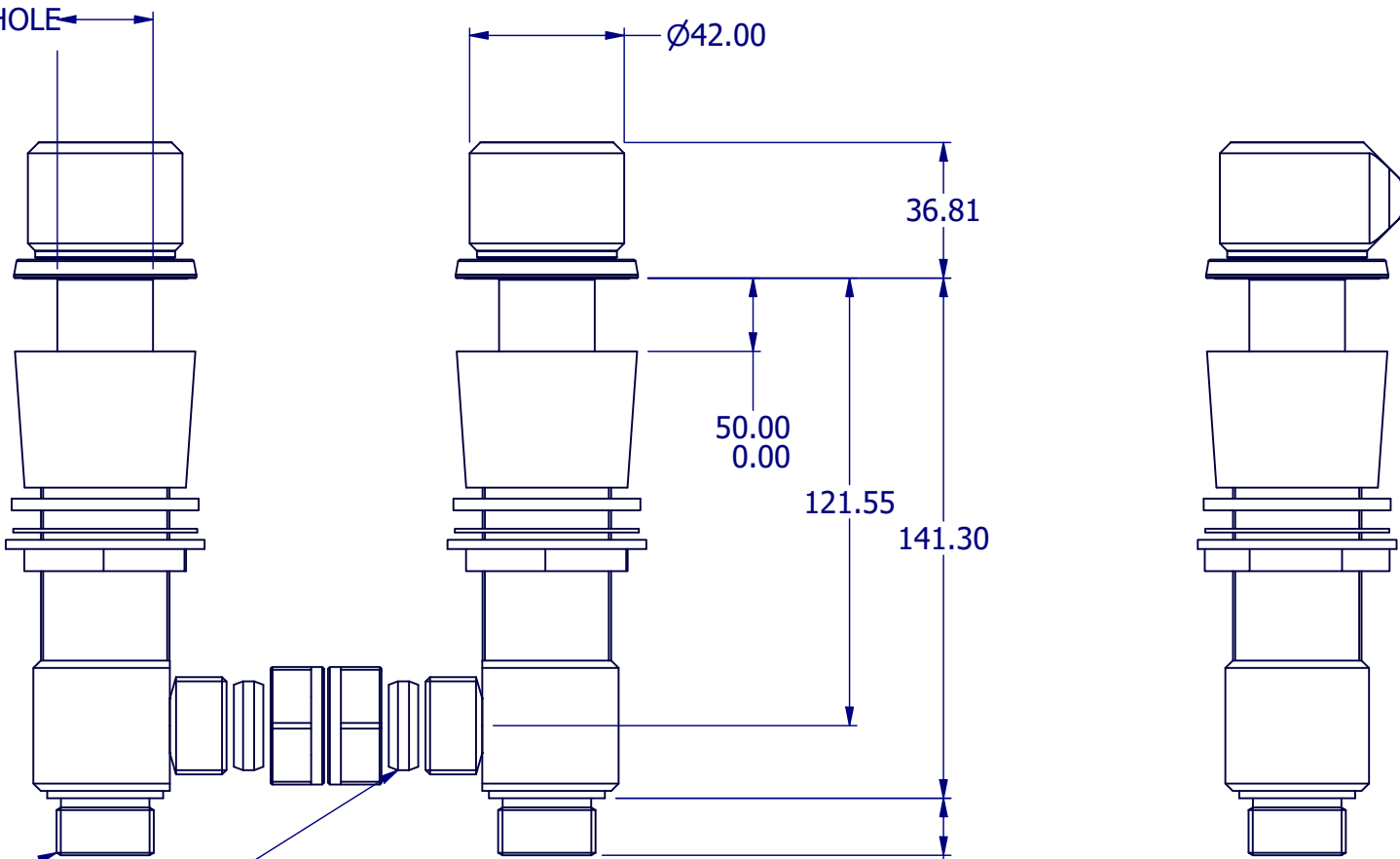


$\text{Ø}33.00$ DRILL HOLE
 $\text{Ø}27.00$



3/4" BSP
 22MM COMPRESSION

| | | | | | |
|----------------------------|--------|------------|-----------|-----------|--------------------|
| PROPERTY OF SAMUEL HEATH © | | | DESIGNER | A.DANIELS | |
| A4 | DRG No | T20K42-CTR | ISSUE NO. | A | ISSUE DATE 25/1/23 |