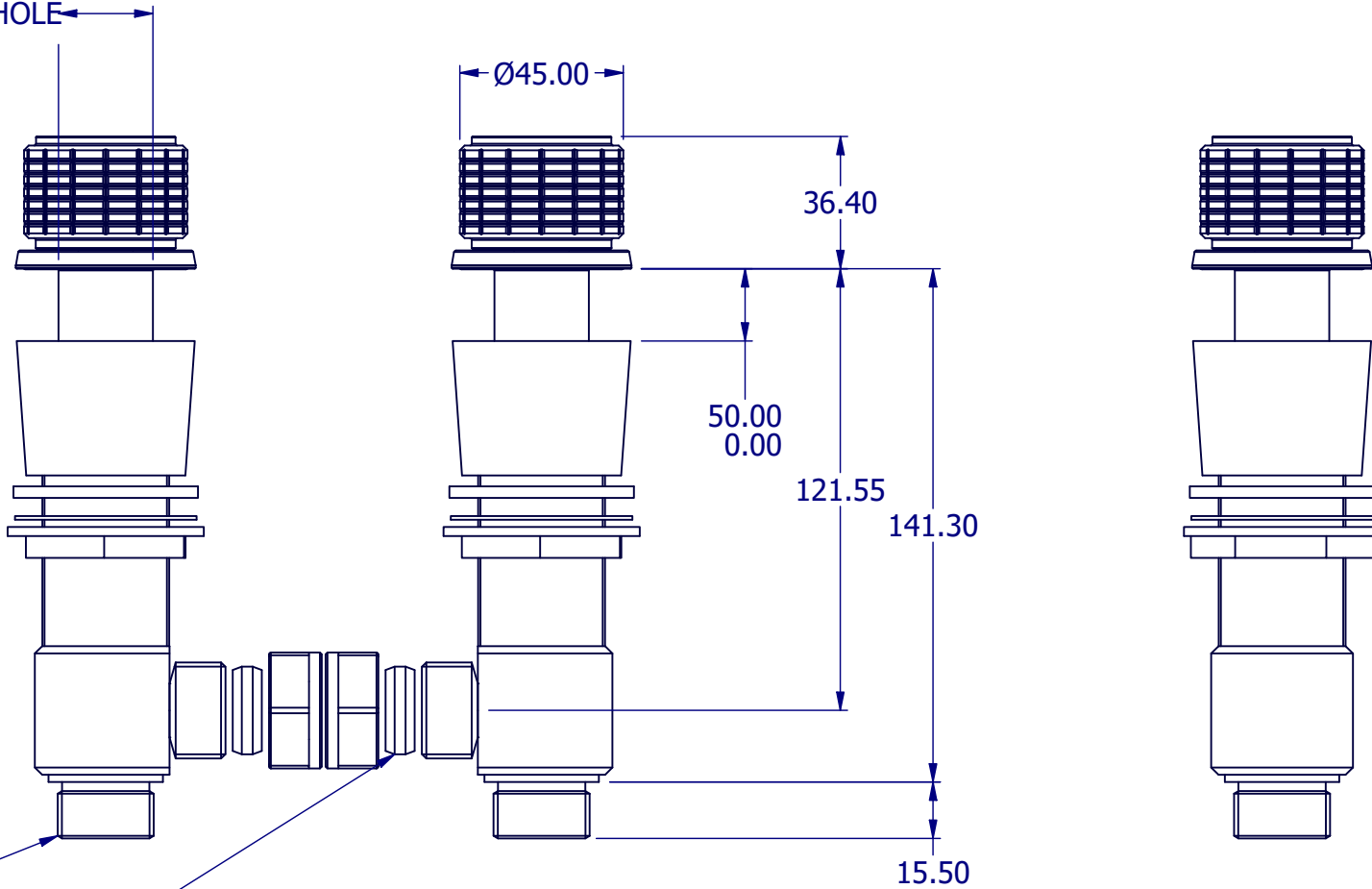


$\text{Ø}33.00$ DRILL HOLE
 $\text{Ø}27.00$



3/4" BSP
 22MM COMPRESSION

PROPERTY OF SAMUEL HEATH ©			DESIGNER	A.DANIELS	
A4	DRG No	T20K42-COR	ISSUE NO.	A	ISSUE DATE 25/1/23