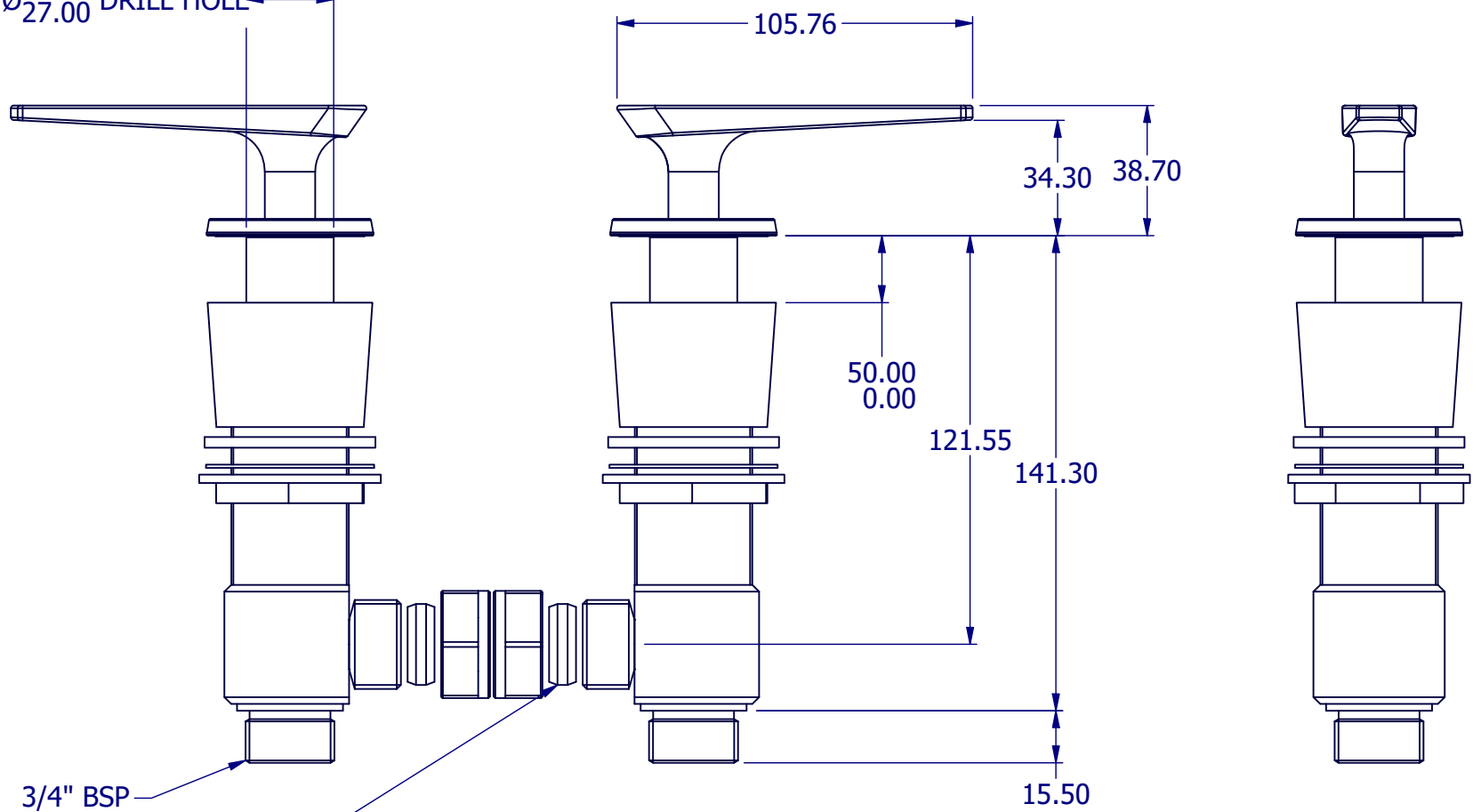


Ø33.00 DRILL HOLE  
Ø27.00



3/4" BSP  
22MM COMPRESSION

PROPERTY OF SAMUEL HEATH ©			DESIGNER	A.DANIELS	
A4	DRG No	T20K42-COL	ISSUE NO.	A	ISSUE DATE 25/1/23