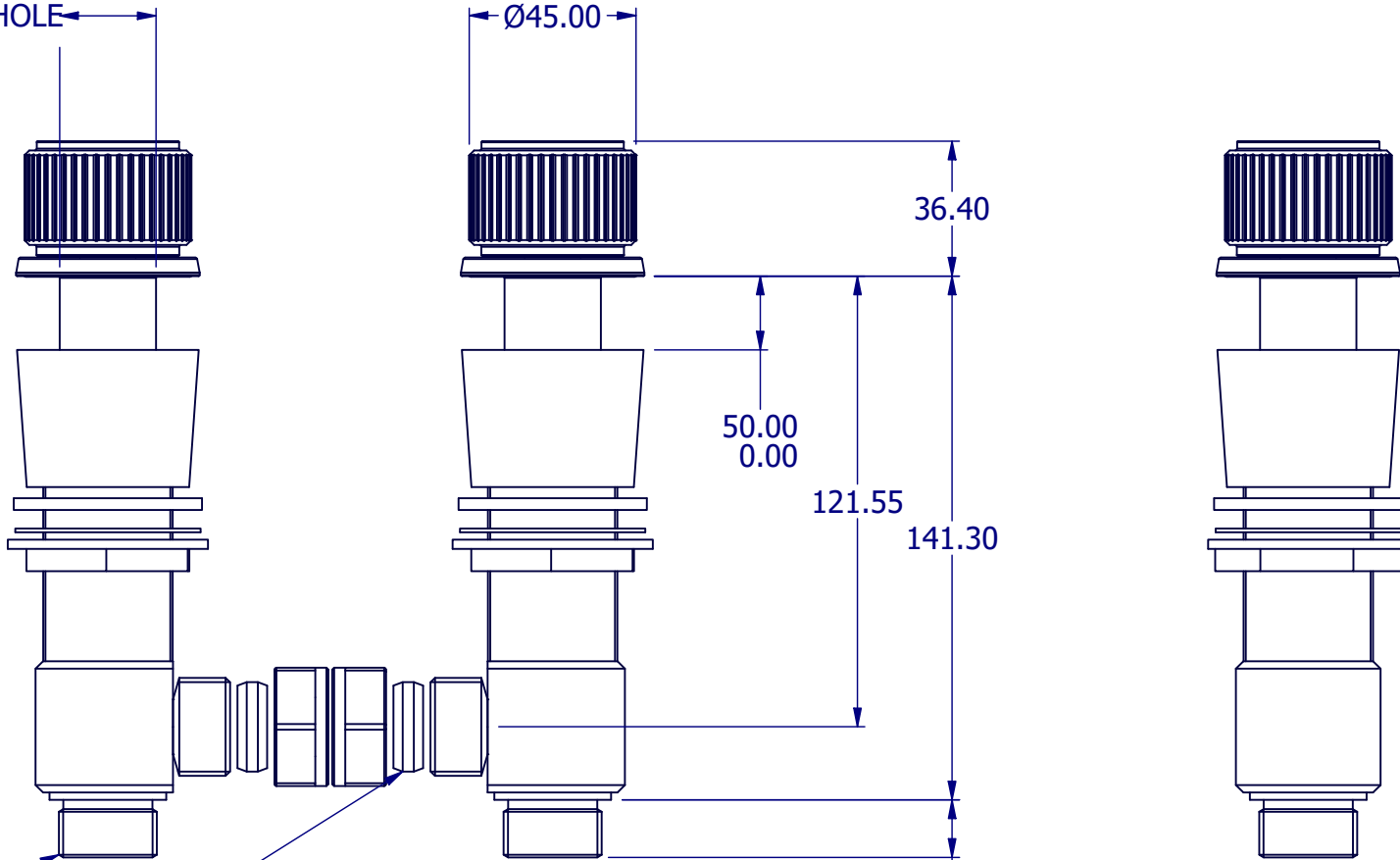


Ø33.00 DRILL HOLE
Ø27.00



3/4" BSP
22MM COMPRESSION

PROPERTY OF SAMUEL HEATH ©			DESIGNER	A.DANIELS	
A4	DRG No.	T20K42-CGR	ISSUE NO.	A	ISSUE DATE 25/1/23