

$\text{Ø}33.00$
 $\text{Ø}27.00$ DRILL HOLE

22.00

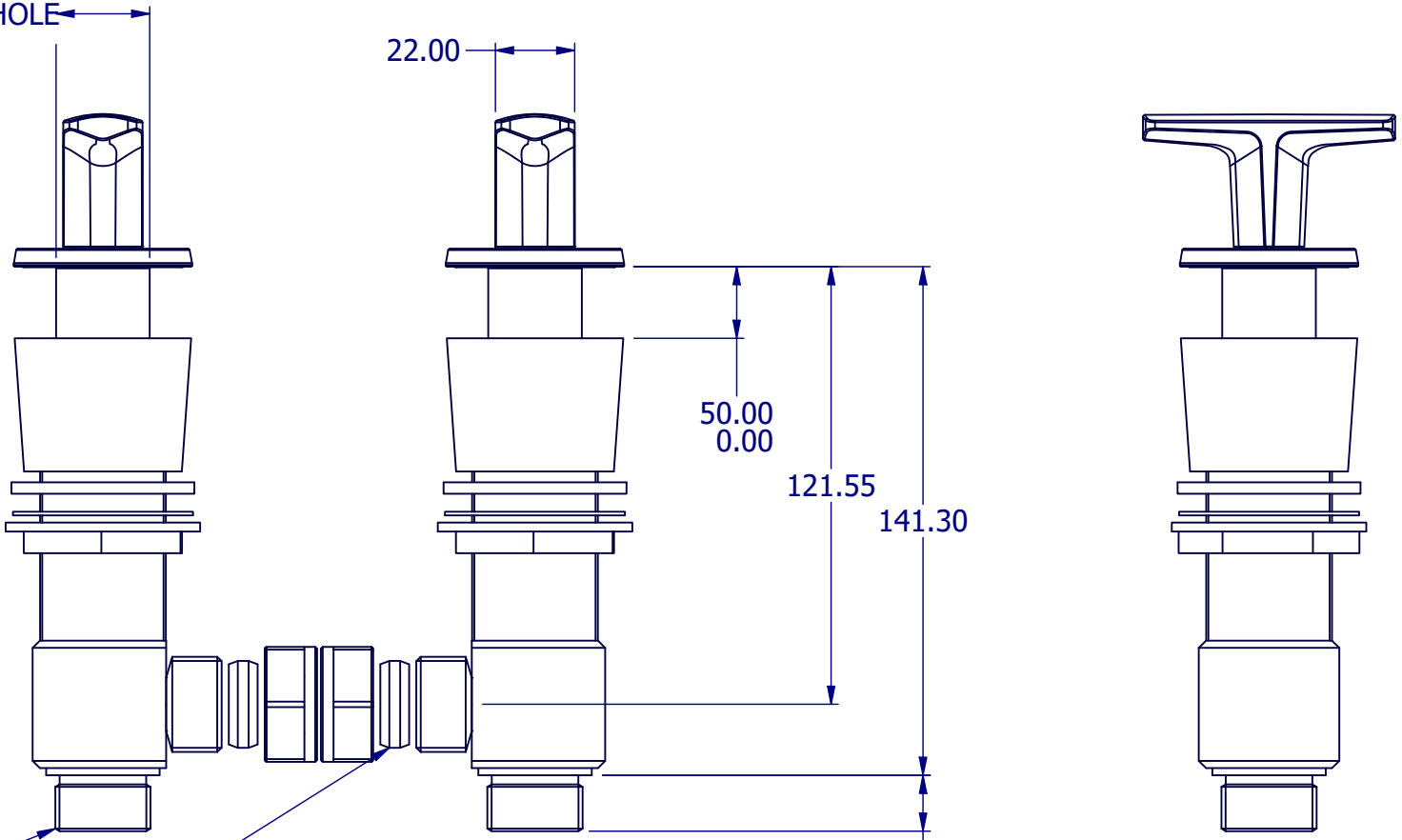
50.00
0.00

121.55

141.30

15.50

3/4" BSP
22MM COMPRESSION



PROPERTY OF SAMUEL HEATH ©			DESIGNER	A.DANIELS	
A4	DRG No	T20K42-CBA	ISSUE NO.	A	ISSUE DATE 25/1/23