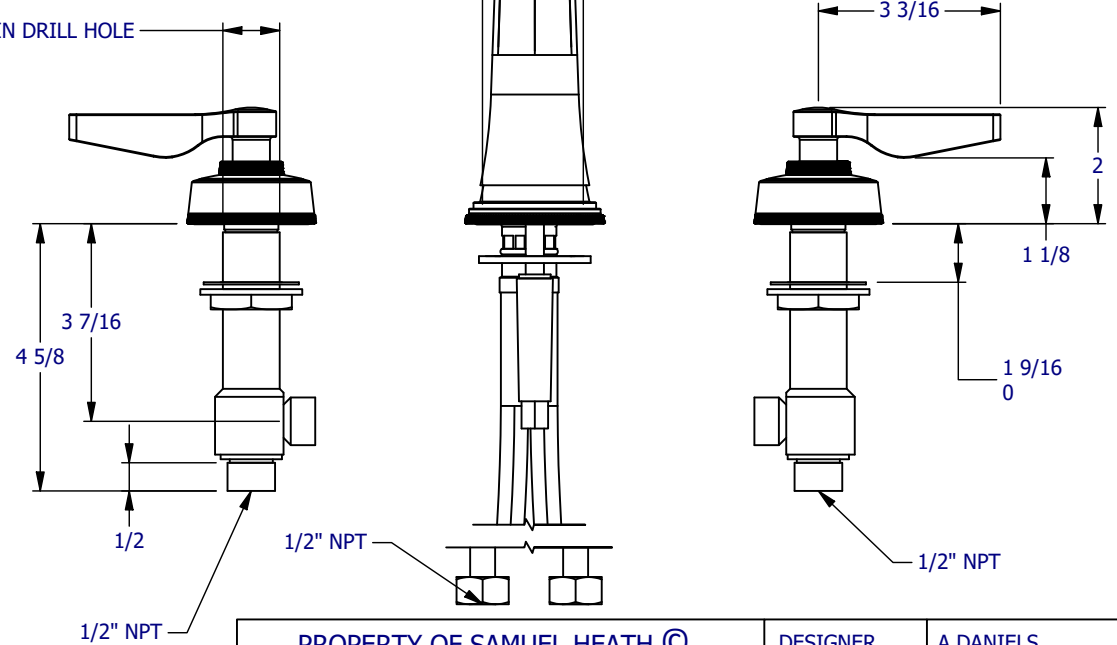


1 7/8
1 1/2 MAX/MIN DRILL HOLE

1 9/16
1 1/4 MAX/MIN DRILL HOLE



PROPERTY OF SAMUEL HEATH ©

DESIGNER

A.DANIELS

A4

DRG No

T12KA16-LA

ISSUE NO.

A

ISSUE DATE

28/7/21