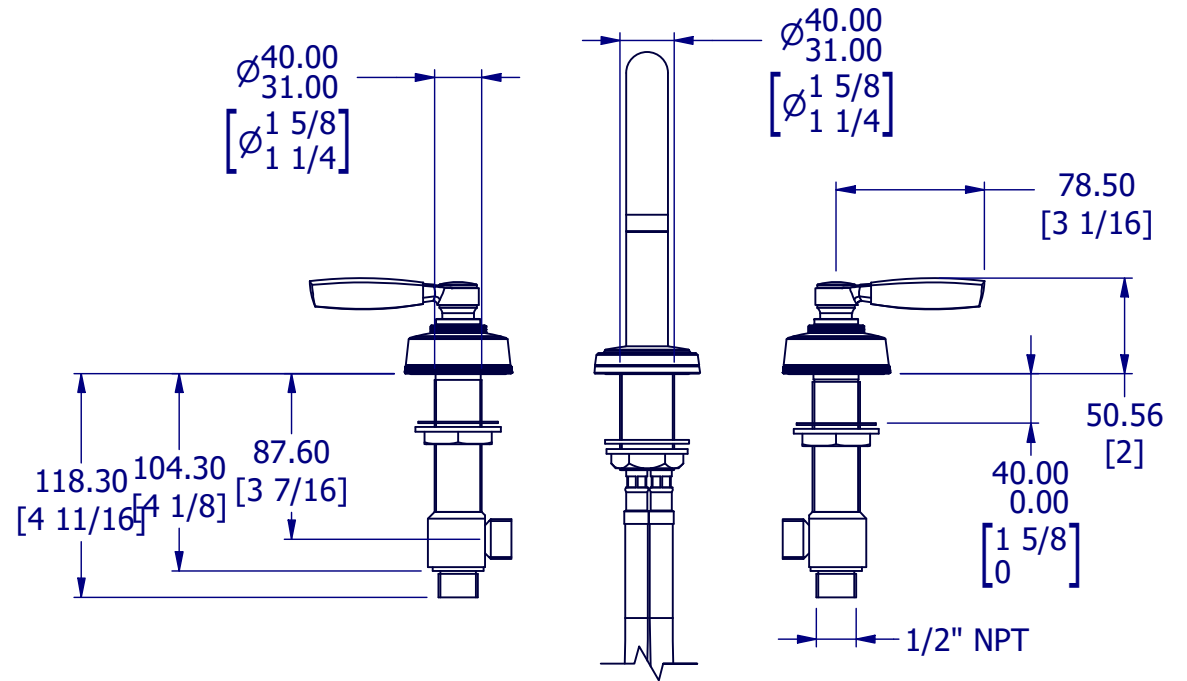
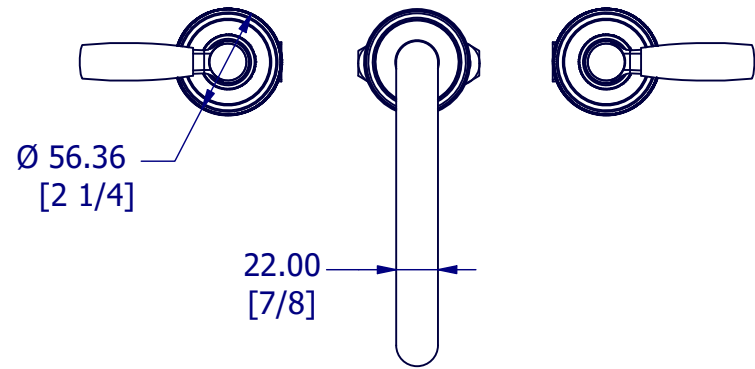


1/2" NPT CONNECTION



PROPERTY OF SAMUEL HEATH ©			DESIGNER	K.WHIELDON	
A4	DRG No.	T11KA14-LB	ISSUE NO.	A	ISSUE DATE 27/03/24