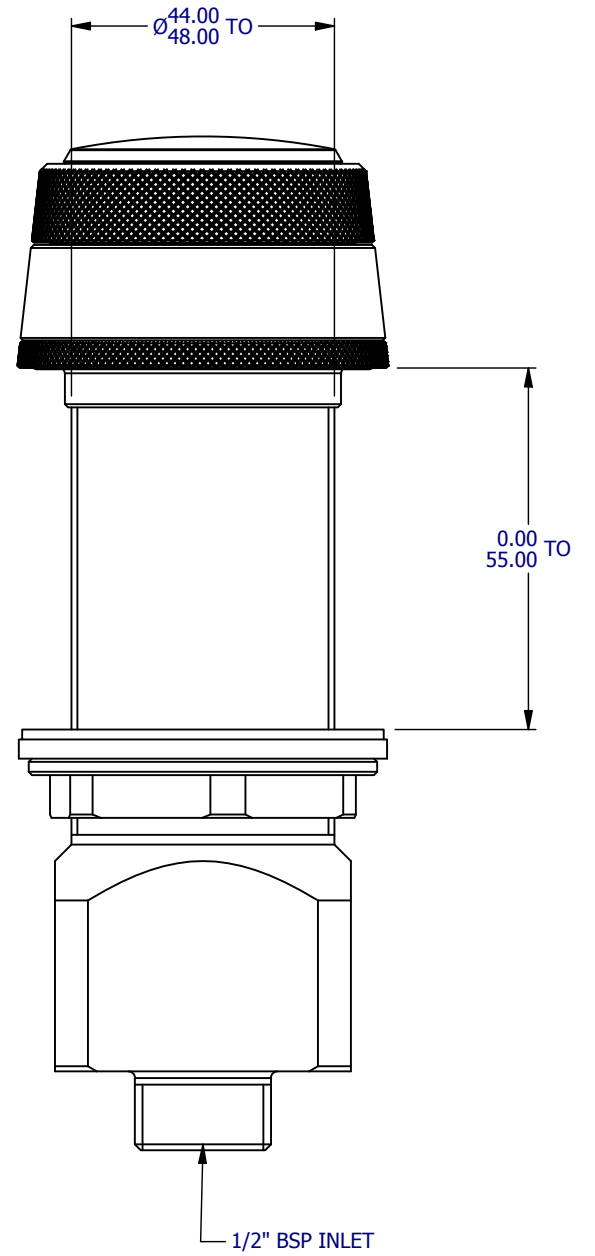


2x 1/2" BSP OUTLET



1/2" BSP INLET

PROPERTY OF SAMUEL HEATH ©			DESIGNER	P.BIRAN	
A4	DRG No.	T1041-R	ISSUE NO.	A	ISSUE DATE
					21/01/20