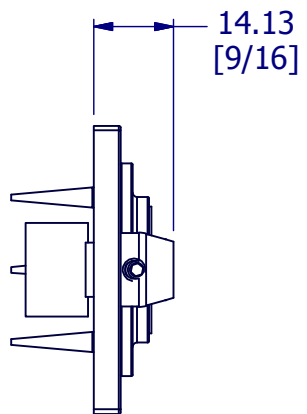
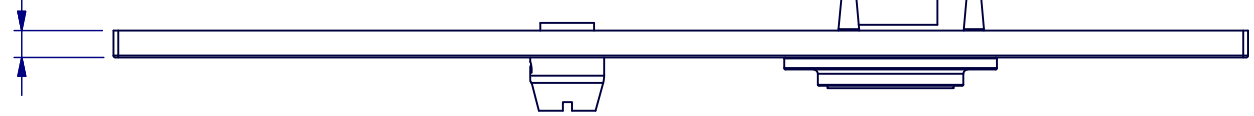


4.76
[3/16]



50.80
[2]

