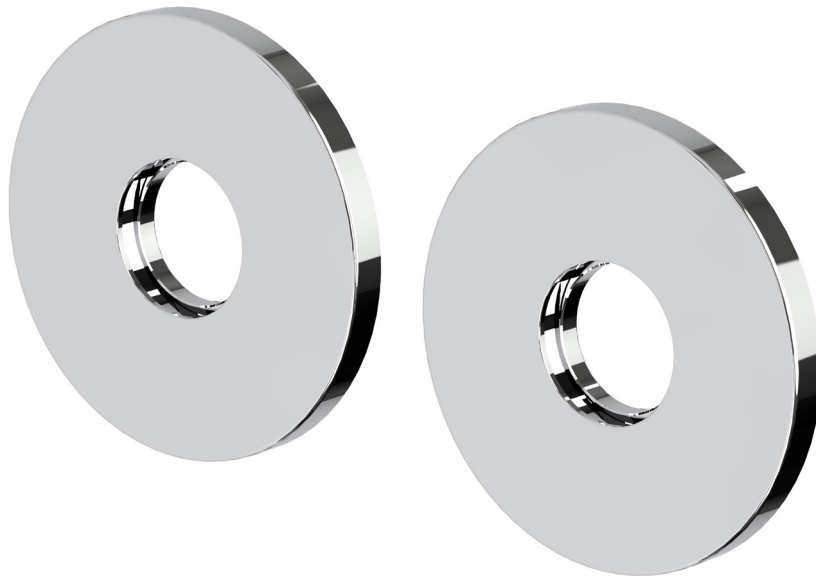


SAMUEL HEATH

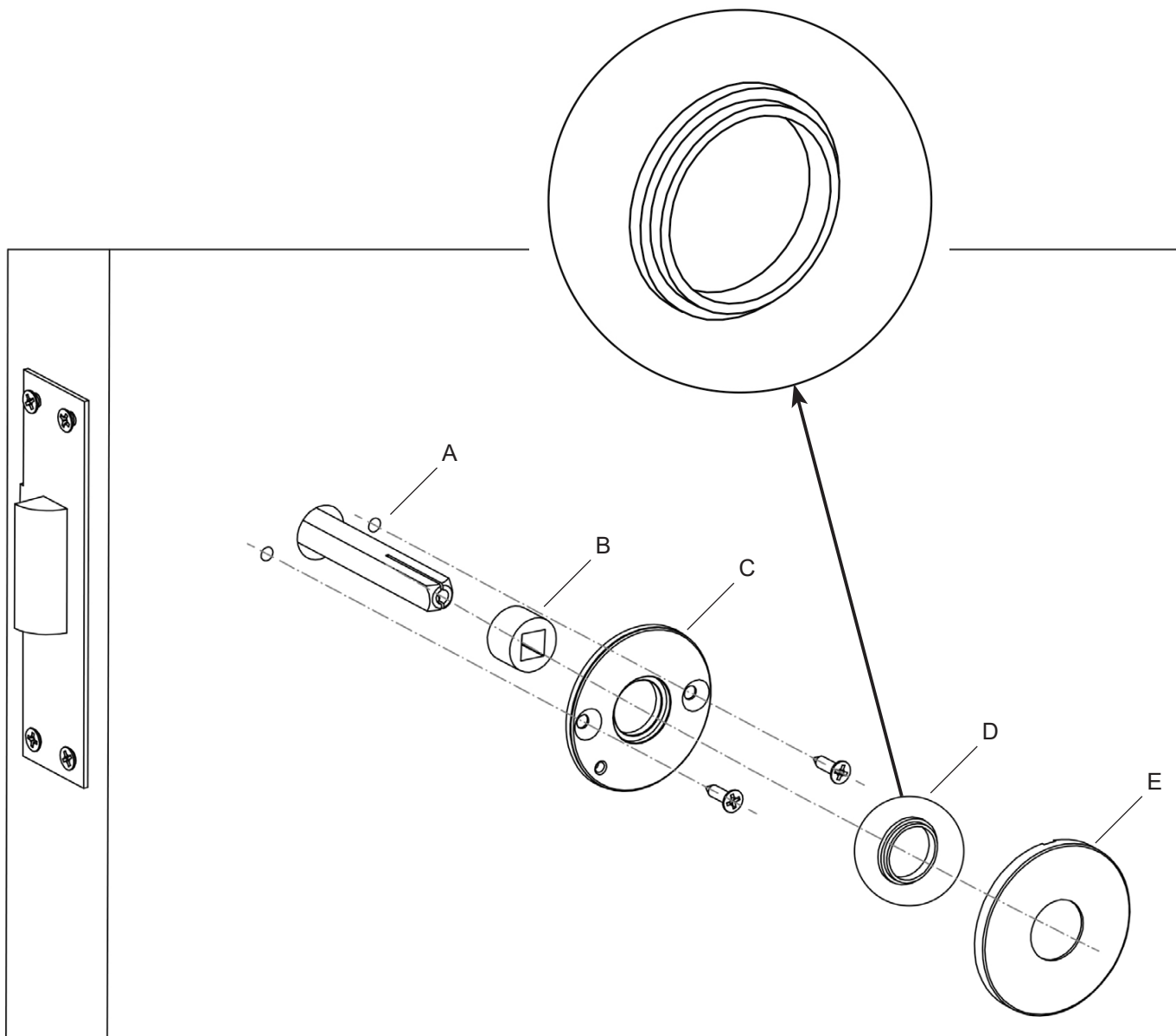
Product Data Sheet

P8010 (For Use With P6040/ P6042/ P6044)



Fitting Instructions

Pre-Installation - A heavy sprung latch must be used.

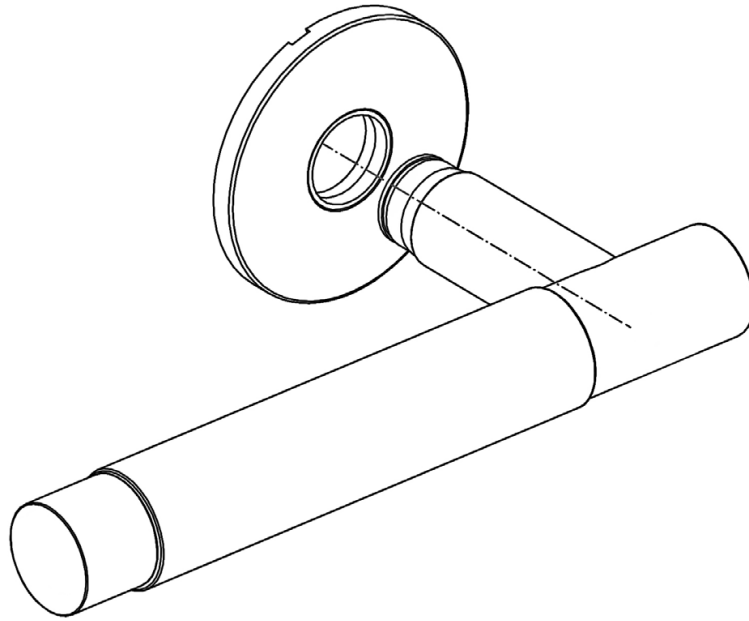


1. Drill door to diameter of chassis centre $\frac{3}{4}$ " (19mm) .
2. Feed spindle (A) through lock follower facing down.
3. Offer the chassis to the door over spindle (leave unscrewed) then slide the alignment washer (B) over the spindle to ensure that it is aligned correctly with the middle of the chassis.
4. Screw the chassis (C) to the door.
5. Repeat sections 3 and 4 on the other side of the door.
6. Discard alignment washers once both chassis are installed correctly.
7. With spindle set centrally push on washers (D) and roses (E) until both are flush with the door.

Fitting Instructions

NOTE:

To assist in removing the rose from the chassis when fitting, use the door handle assemble to push the shoulder washer while holding the rose assembly.



SAMUEL HEATH
Head Office and Customer Service
Leopold Street
Birmingham
England
B12 0UJ

T: +44 (0)121 766 4200
F: +44 (0)121 772 3334

Info@samuel-heath.com
www.samuel-heath.co.uk

US Customer Service
usa@samuel-heath.com
Federal I.D. No. 58-1504682
www.samuel-heath.com

9-3039
Issue: C